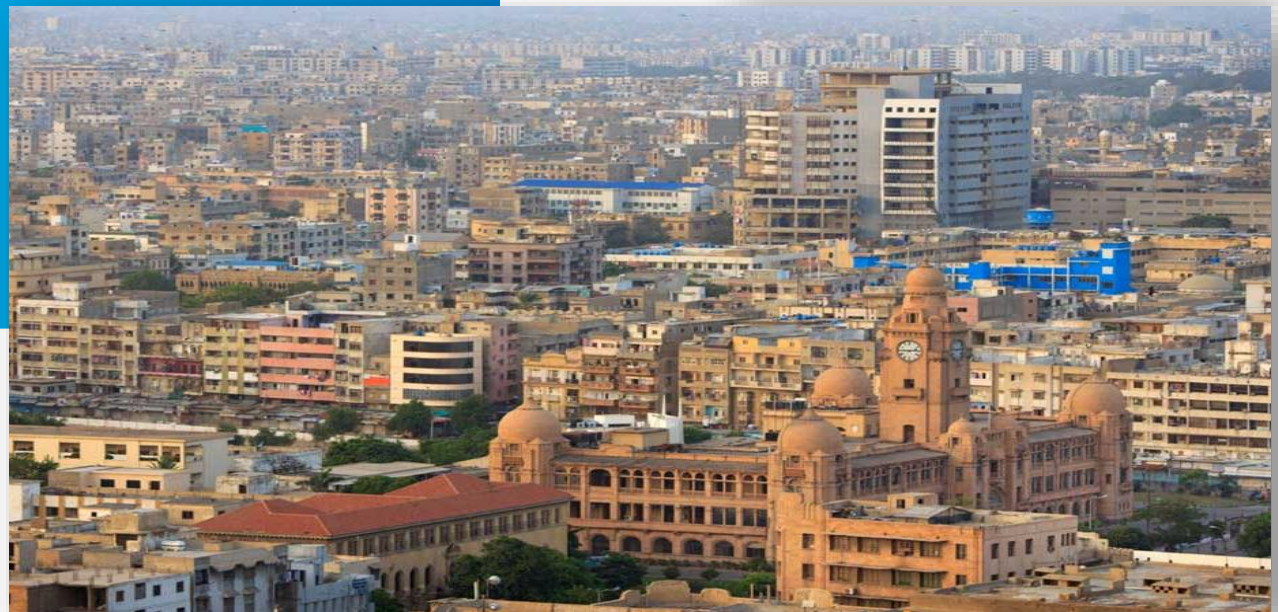
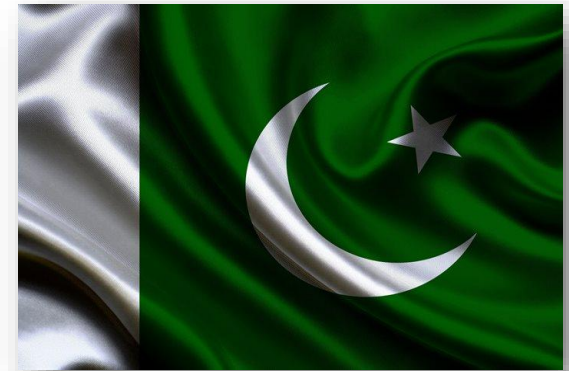


Metro Shopping Mall Pakistan



Empowering your control

www.sices.eu



Metro Shopping Mall



METRO opened its first cash & carry wholesale center in Pakistan in 2007 & expanded to 5 wholesale centers in a short span of 18 months. In July 2012 METRO and Makro-Habib combined their wholesale business in Pakistan marking the beginning of a long-term partnership to the mutual benefit of both companies. The merger allowed METRO and Makro-Habib to combine resources and gain the financial strength to lead and grow in a challenging environment and to gain synergies targeted to generate value for our customers and suppliers alike. Today the company is operating 9 wholesale centers in Lahore, Karachi, Islamabad & Faisalabad.

Metro Shopping Mall



Power plant comprising:

N.2 Synchronized Diesel Gensets
 CAT32 1000KVA with 2 Transformers
 (Mains) and an existing Siemens PLC
 control unit



HUB ENGINEERING Delivering Excellence

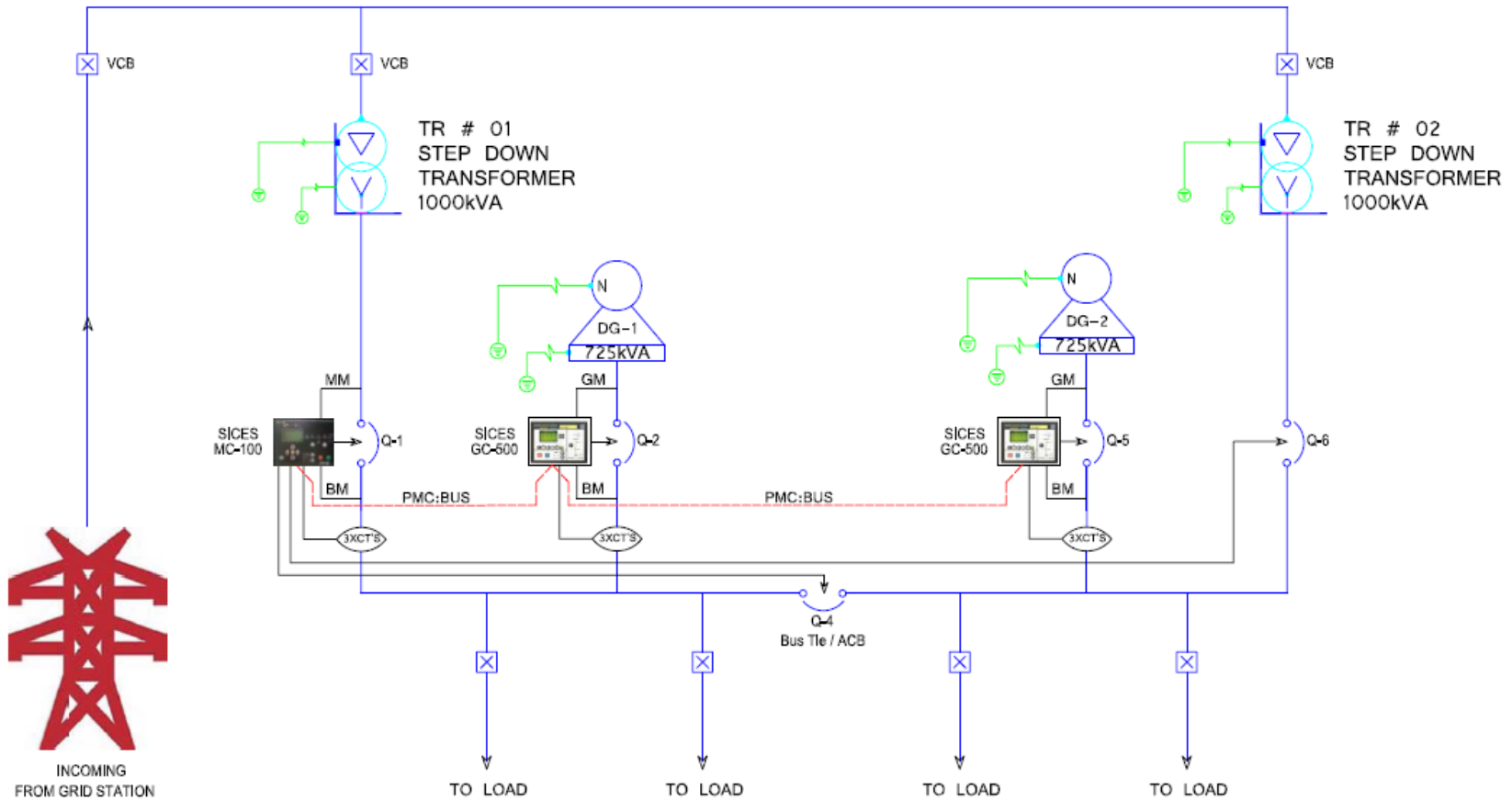
(جنریٹور اور ٹرانسفارمر کو سنکھ کرنے کا طریقہ)

<p>GC-500 (1) کنٹرول یونٹ پر لکھی۔ MC-100 (2) کنٹرول یونٹ پر لکھی۔</p>	<p>(1) واپس پال پالنے سے پہلے۔ (2) کنٹرول یونٹ پر لکھی۔</p>
<p>MC-100 (3) کنٹرول یونٹ پر لکھی۔ GC-500 (2) کنٹرول یونٹ پر لکھی۔</p>	<p>(3) واپس پال پالنے سے پہلے۔ (4) کنٹرول یونٹ پر لکھی۔</p>
<p>واپس پال پالنی آنے کے بعد</p>	
<p>(5) MC-100 کنٹرول یونٹ پر لکھی۔ (6) کنٹرول یونٹ پر لکھی۔ (7) کنٹرول یونٹ پر لکھی۔ (8) کنٹرول یونٹ پر لکھی۔ (9) کنٹرول یونٹ پر لکھی۔</p>	



0301-8452178 / 0301-8452176 / 0301-8452173

Metro Shopping Mall



PMC BUS : Power Management Communication Bus
 GM : Generator Monitoring
 BM : Bus Monitoring
 MM : Mains Monitoring

SICES SRL scope of supply:

1 x MC100

2 x GC500*Plus*

In addition:

Hub Engineering provided the engineering support for the design and commissioning of the plant offering a smart solution for the control of both transformers using just one MC100 as Supervisor controller

